

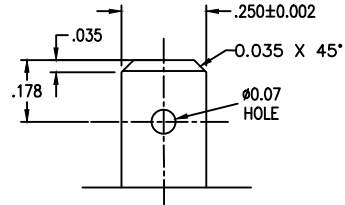
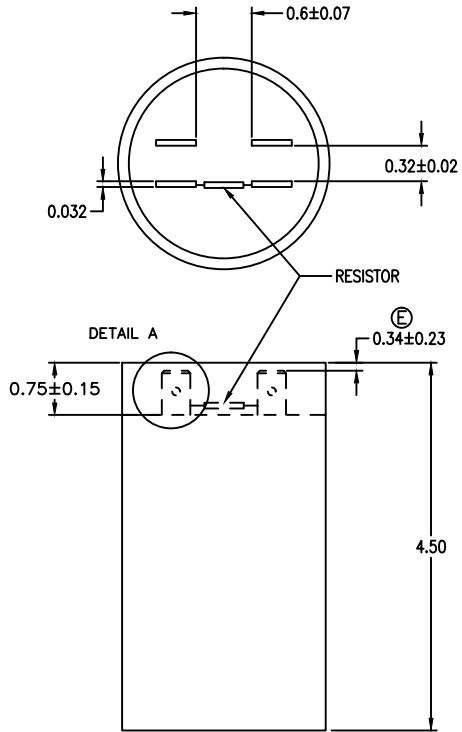
SHEET 1

REV 1

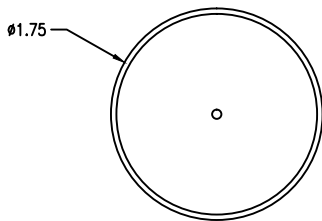
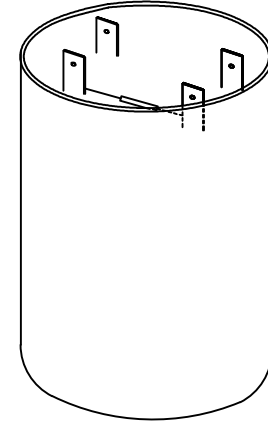
24DS119B330PAR

DRAWING NO.

SIZE A



DETAIL A



SPECIFICATIONS :

MAIN CAPACITANCE:	119uF±10%
SECONDARY CAPACITANCE:	NA
VOLTS:	330 VAC
LEAKAGE CURRENT:	30uA MAX
FREQUENCY:	5% HZ
OPERATING TEMP:	-40 DEG C TO 70 DEG C
STORAGE TEMP:	-40 DEG C TO 70 DEG C
OPERATIVE LIFE:	25,000HRS WITH 94% SURVIVAL CONTINUOUS/ 1,000,000 STARTS AT 3% DUTY CYCLE
DISSIPATION FACTOR:	0.1% MAX
CASE MATERIAL:	POLYPROPYLENE
COVER MATERIAL:	NA
TERMINALS:	0.250X0.031 QUICK CONNECT TERMINALS
DIELECTRIC FLUID:	NA
INTERNAL PROTECTION:	NON-PROTECTED

NOTES:

- PART IS UL APPROVED FOR CONSTRUCTION ONLY UNDER ULB10
- RESISTOR-15K Ohms, 2.0 Watts +/-5%

FOR ADDITIONAL INFO REFER TO:

CTQ	
Ⓟ PROCESS	
ⓔ ENGINEERING	
ⓐ APPLICATION	
Ⓡ REGULATION	

APPLIED PRACTICES	
DIMENSIONS ARE IN INCHES & [METRIC]	
TOLERANCE ON:	
1 PL DECIMALS ±	.020
2 PL DECIMALS ±	.010
3 PL DECIMALS ±	.005
ANGLES ±	1
FINISH	✓

SIGNATURES		DATE
MODEL	ALEJANDRA R.	5/19/21
DETAIL		
CHECKED	SHG	5/19/21
ENGRG		
MFG		
QUALITY		
ISSUED		
MATERIAL	SOLID MODEL:	

		TITLE	
		START CAPACITOR OUTLINE DRAWING	
SIZE	DRAWING	24DS119B330PAR	
A		REF. No:	REV 1
SCALE:	NTS	SHEET 1 of 1	

